

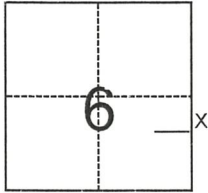
# CORNER RECORD

Agency Index 3014-F  
Document Number \_\_\_\_\_

City of Santa Nella County of Merced, California  
Brief Legal Description Centerline Intersection of Santa Nella Blvd. (SR-33) and Vera Cruz Drive.

### CORNER TYPE

### COORDINATES (Optional)



T.10S, R.9E.

- Government Corner
- Meander
- Rancho
- Control
- Property
- Other

Date of Survey October 2, 2018

N. \_\_\_\_\_ E. \_\_\_\_\_  
 Elevation \_\_\_\_\_  
 Units  Metric  U.S. Survey Foot  
 Horizontal Datum \_\_\_\_\_  
 Zone \_\_\_\_\_ Epoch Date \_\_\_\_\_  
 Vertical Datum \_\_\_\_\_  
 Complies with Public Resources Code §§8801-8819  
 Complies with Public Resources Code §§8890-8902

- PLS Act Ref.:  8765(d)  8771  8773  Other:
- Corner/Monument:  Left as found  Established  Rebuilt  Pre-Construction  
 Found and tagged  Reestablished  Referenced  Post-Construction

Narrative of corner identified and monument as found, set, reset, replaced, or removed:  
 See sheet #2 for description(s):

Found existing Well, searched for Record Monument/ nothing found. Raised existing well to new grade. Nothing set.

### SURVEYOR'S STATEMENT

This Corner Record was prepared by me or under my direction in conformance with  
 the Professional Land Surveyors' Act on October 15, 2018  
 Signed [Signature] P.L.S. or R.C.E. No. L 9391

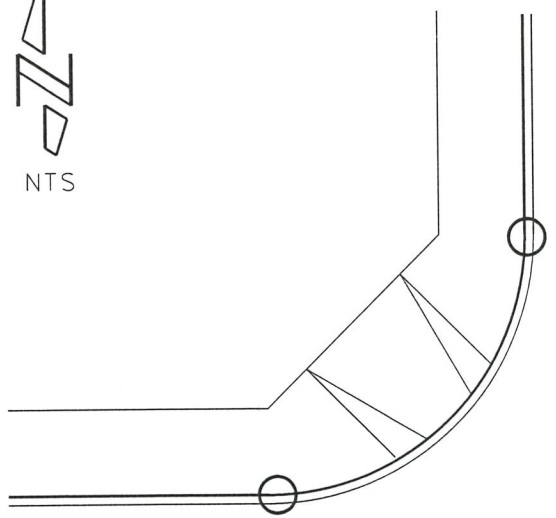


### COUNTY SURVEYOR'S STATEMENT

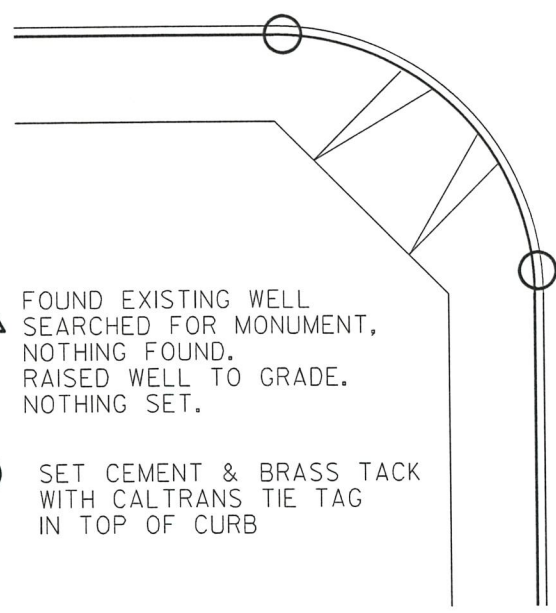
This Corner Record was received NOVEMBER 30, 2018  
 and examined and filed DECEMBER 27, 2018  
 Signed [Signature] P.L.S. or R.C.E. No. 8664  
 Title COUNTY SURVEYOR



County Surveyor's Comment



VERA CRUZ DRIVE



△ FOUND EXISTING WELL SEARCHED FOR MONUMENT, NOTHING FOUND. RAISED WELL TO GRADE. NOTHING SET.

○ SET CEMENT & BRASS TACK WITH CALTRANS TIE TAG IN TOP OF CURB

TO STATE ROUTE 152  
↓

STATE ROUTE 33

TO INTERSTATE 5  
↑