

CORNER RECORD

DPD-3011A (Rev. 3/98) CT# 7541-4554-2

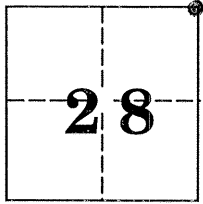
1085

Document Number \_\_\_\_\_

City of \_\_\_\_\_

County of Merced, California

Brief Legal Description Northeast corner of Section 28, T7S, R12E, MDB & M. State Hwy 140 at Central Avenue.



CORNER TYPE

COORDINATES(Optional)

- Government Corner  Control
- Meander  Property
- Rancho  Other

N. \_\_\_\_\_  
 E. \_\_\_\_\_  
 Zone \_\_\_\_\_ NAD27  NAD83   
 NAD83 Epoch \_\_\_\_\_  
 Elevation \_\_\_\_\_  
 Vert. Datum: NGVD29  NAV88   
 Meas. Units: Metric  Imperial

Date of Survey June 3, 2000

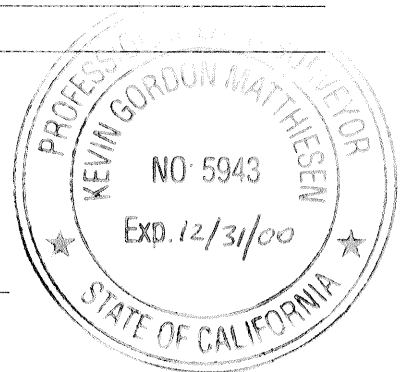
Corner - Left as found  Found and tagged  Established  Reestablished  Rebuilt

Identification and type of corner found: Evidence used to identify or procedure used to establish or reestablish the corner:  
 Found 0.75 ft. Diameter Concrete monument with steel pin in center. Concrete monument found as per Map of Crocker Farms Unit Two filed in Merced County Records Vol. 9, Page 14, March 7, 1927  
 No tag, down 0.5 ft.

A description of the physical condition of the monument as found and as set or reset:  
 Left as found. Made new ties. (See page 2)

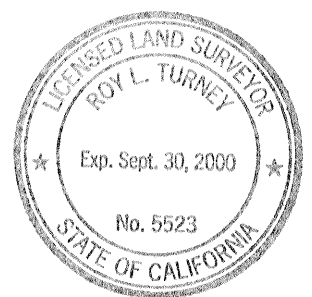
SURVEYOR'S STATEMENT

This Corner Record was prepared by me or under my direction in conformance with the Land Surveyor's Act on June 15, 2000.  
 Signed Kevin Gordon Matthieson P.L.S. Number 5943 - Expires 12/31/00  
 For the State of California  
 Department of Transportation



COUNTY SURVEYOR'S STATEMENT

This Corner Record was received 7-3-2000 and examined and filed 7-21-2000.  
 Signed Roy L. Turney P.L.S. or R.C.E. Number 5523  
 Title DEP. CO. SURVEYOR



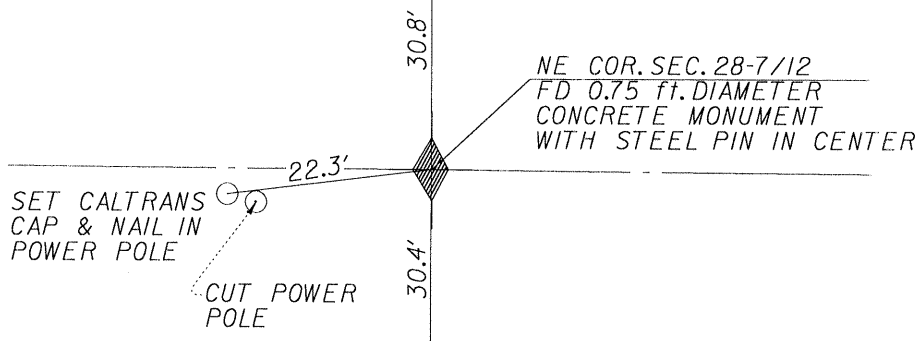
County Surveyor's Comment \_\_\_\_\_

NORTHEAST CORNER  
SECTION 28 T7S, R12E, M. D. B. & M.

CENTRAL AVE

STATE HWY 140

FOG LINE STRIPE

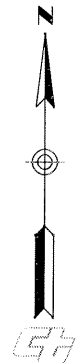


NE COR. SEC. 28-7/12  
FD 0.75 ft. DIAMETER  
CONCRETE MONUMENT  
WITH STEEL PIN IN CENTER

SET CALTRANS  
CAP & NAIL IN  
POWER POLE

CUT POWER  
POLE

VINEYARD



NO SCALE