

CORNER RECORD

COUNTY OF MERCED T. 5 S. R. 12 E. M.D.B. & MERIDIAN CALIFORNIA
CORNER TYPE: GOV'T. CORNER MEANDER RANCHO CONTROL OTHER
CORNER IDENTIFICATION — DATE OF VISIT DECEMBER 5, 19 84



N.E. Cor. Sec. 31, T. 5 S., R. 12 E.

CORNER — LEFT AS FOUND FOUND AND TAGGED REESTABLISHED OBLITERATED CORNER REBUILT

PHYSICAL DESCRIPTION OF CORNER FOUND; EVIDENCE AND METHOD USED TO IDENTIFY OR REESTABLISH

FOUND REBAR w/ ALUMINUM CAP, TAGGED R.E. 6888, FLUSH

PHYSICAL DESCRIPTION OF MONUMENTS REBUILT OR PERPETUATED

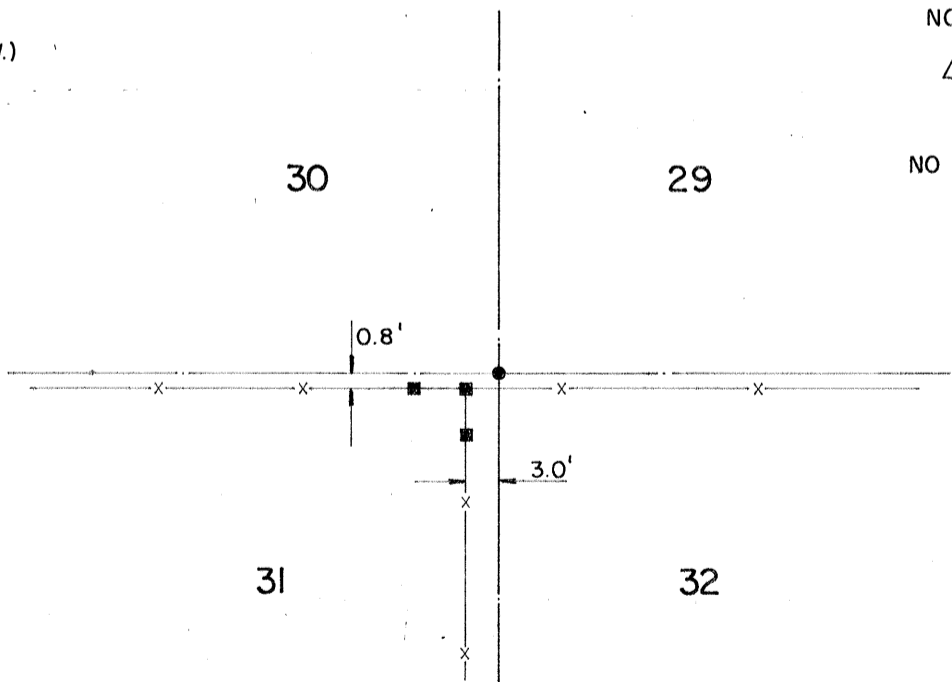
SAME AS ABOVE

CALIFORNIA COORDINATE SYSTEM ORDER: FIRST SECOND THIRD
STATIONS USED: NGS (USC & GS) STATE COUNTY OTHER STATION _____ STATION _____
ZONE _____ ELEVATION _____ NORTHINGS (Y) _____ EASTINGS (X) _____

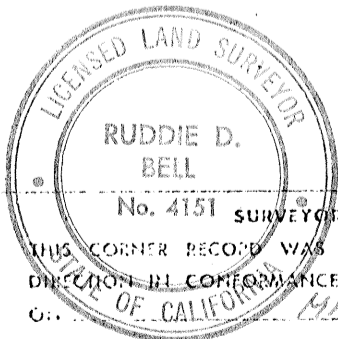
(Fold)

SKETCH: (Include reference tie or witness points, remarks and topo of area)

- 3.25' N.E. 0 TOP OF COR. POST
- 12.79' N.E. 0 IN FENCE POST
- 12.29' N.E. 0 IN FENCE POST
- 0.8' NORTH OF FENCE (E. & W.)
- 3.0' EAST OF FENCE (SOUTH)



NORTH
↑
NO SCALE



SURVEYOR'S CERTIFICATE
THIS CORNER RECORD WAS PREPARED BY ME OR UNDER MY DIRECTION IN CONFORMANCE WITH THE LAND SURVEYORS ACT OF CALIFORNIA
SIGNED: Ruddle D. Bell
L.S. or P.C.E. No.: LS 4151

COUNTY SURVEYOR'S CERTIFICATE
THE CORNER RECORD WAS RECEIVED MARCH 27 19 85
AND EXAMINED AND FILED APRIL 5 19 85
BY: Ray Turner
TITLE: Dep. Co. Sur.
DOCUMENT No. 1661

STATEMENT ON BACK OF SHEET YES NO

R.B.